



SURFACE MOUNT WITH BUTTONS INSTALLATION GUIDE

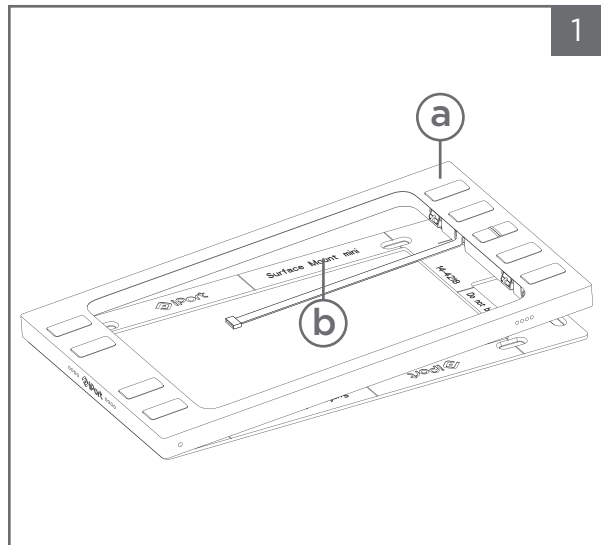
To configure buttons watch setup video: www.iportproducts.com/smbuttonsconfig

PRIOR TO INSTALLATION, PLEASE REFERENCE POWER AND WIRING GUIDE FOUND IN THE POE SPLITTER BOX

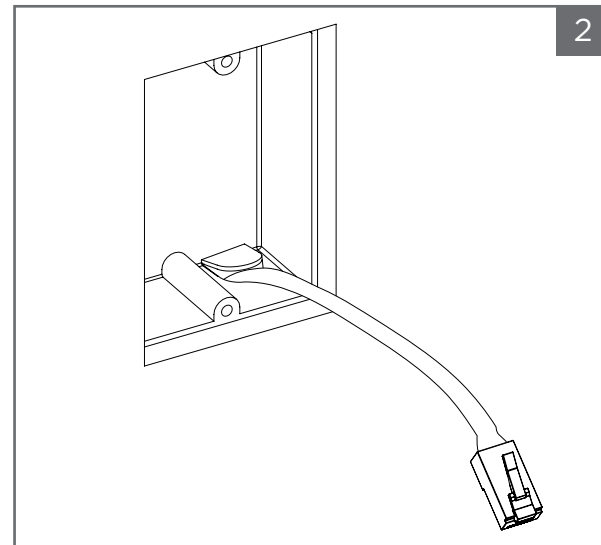
Hardware Requirements

Hardware required for each application scenario is shown below. For brick & mortar, concrete, and glass applications, please view our application note for installation on our website, www.iportproducts.com

DRYWALL	SOFT WOOD	HARD WOOD	BRICK & MORTAR	CONCRETE
Use provided hardware (use a Phillips hand screwdriver)	Use provided hardware (use a Phillips hand screwdriver)	Drill pilot holes & use provided hardware (use a Phillips machine screwdriver)	Use brick & mortar anchors & screws (not provided)	Use concrete anchors & screws (not provided)



When removing the Surface Mount (a) bezel from its box, the bezel will be attached to the (b) mounting bracket. To decouple the (a) bezel from the (b) mounting bracket, place the (a) bezel face up on a flat and smooth surface. With one hand, hold the (b) mounting bracket in place. With your opposite hand, lift the right edge of the (a) bezel and then the left to decouple the magnets. This will help avoid bending of the metal, and prevent any damages to the (a) bezel or (b) mounting bracket.



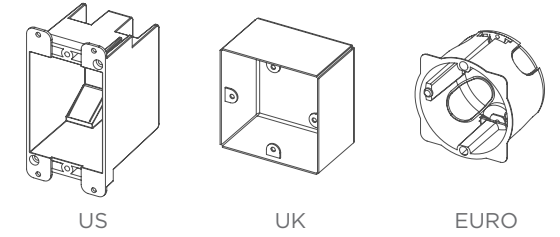
Locate the ideal mounting area. For retrofit installation, locate an existing low-voltage electrical box. For new construction, choose a location for an electrical box. We recommend installing the (a) bezel in landscape orientation, but it can also be installed in portrait orientation. NOTE: A single gang electrical box allows you to use the Surface Mount in portrait or landscape orientation, and a double gang electrical box allows you to use the Surface Mount in a landscape only orientation.

Before Installation

Ensure selected wall for installation is free of plumbing or any other obstructions.

Electrical Wall Box for the PoE Splitter

The PoE Splitter can be used with US, UK and Euro single gang electrical boxes. The recommended depth for the UK electrical box is a minimum of 1.4" (35mm) and the Euro wall box is a minimum of 1.85" (47mm). An open double gang electrical box may be used to allow for flexible wire management.



For Advanced Installation

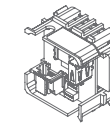
iPort offers an elegant solution to integrate iPad onto any surface. For advanced surface installation applications such as masonry and concrete, please view our application note for installation on our website, www.iportproducts.com. For drywall and wood installation, please proceed to the installation steps noted below. NOTE: Glass mounting is not recommended.

Preparation for Installation

Choose your power/wiring scenario below. Our Power and Wiring Guide can be found in the PoE Splitter box (sold separately).

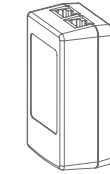
Accessories required for each power/wiring scenario

	BEZEL	PoE SPLITTER	PoE INJECTOR
PoE Switch Powered	B	S	
24V Powered	B	S	
Receptacle Powered	B	S	i



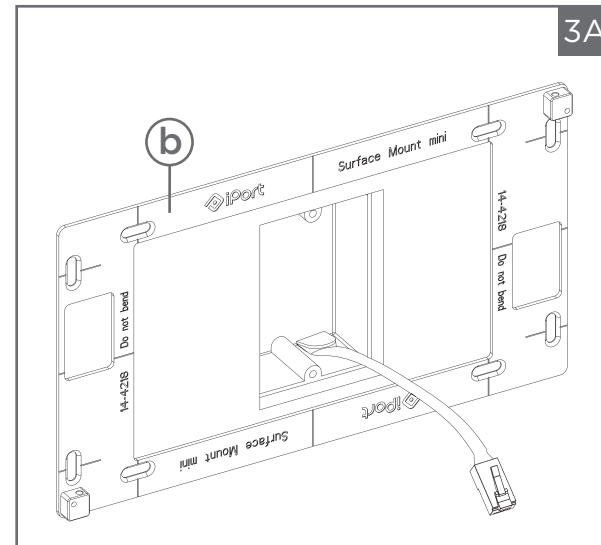
S PoE Splitter (sold separately)

The PoE splitter is designed to provide the necessary power to the iPad's Lightning Connector from a PoE or direct 24V power source. For more detailed information, see enclosed diagrams.

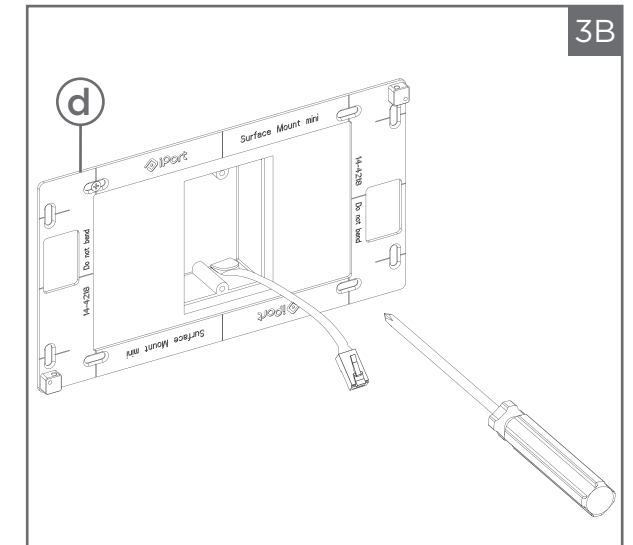


i PoE Injector (sold separately)

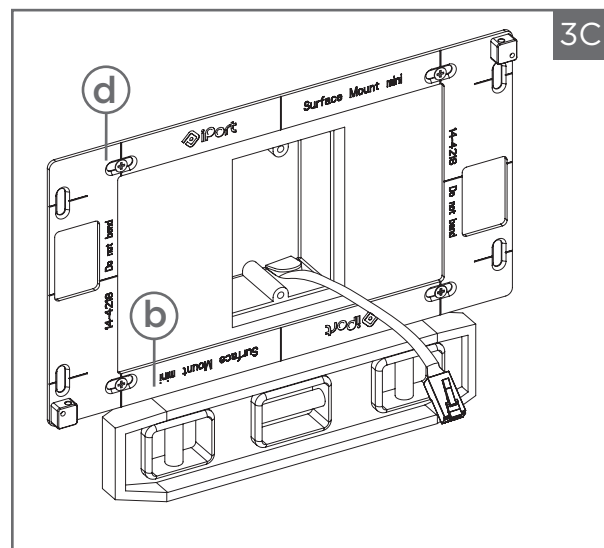
The PoE injector is designed to provide power via PoE (IEEE 802.3af) and is required if there is no other PoE or 24V power source.



Install the (b) mounting bracket on the wall with the (b) bracket surrounding the electrical box. Use the center lines as a guide to install the (d) mounting screws. Our specialized (d) mounting screws act as anchors and screws when mounting on a drywall or wood surface. NOTE: Glass mounting is not recommended for this product.

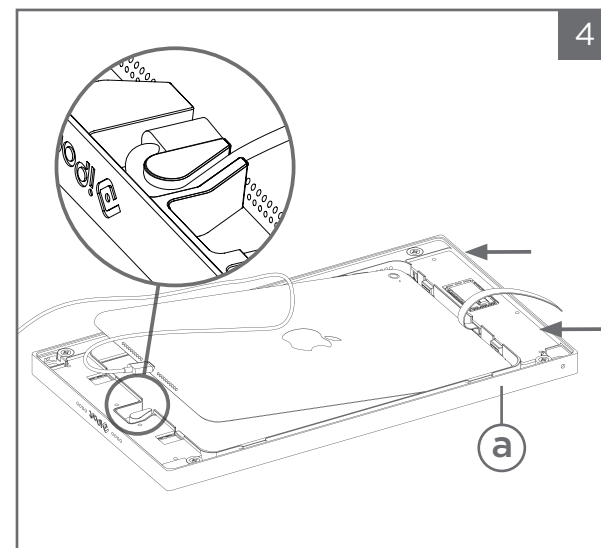


Using the recommended screwdriver and (d) mounting screws, install the first screw in the upper left-hand corner.



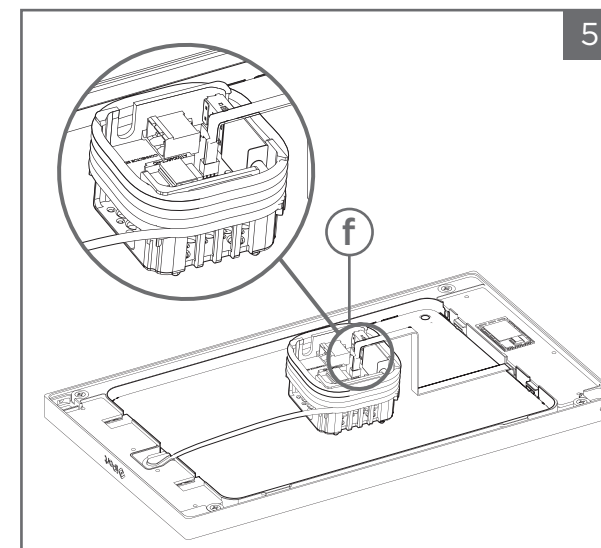
3C

Level the (b) mounting bracket over wiring location and fasten (b) bracket with the remaining (d) screws. Lining up the (d) mounting screws with the engraved center lines provided on the (b) bracket will allow you optimal adjustability. The (b) mounting bracket is now in place.



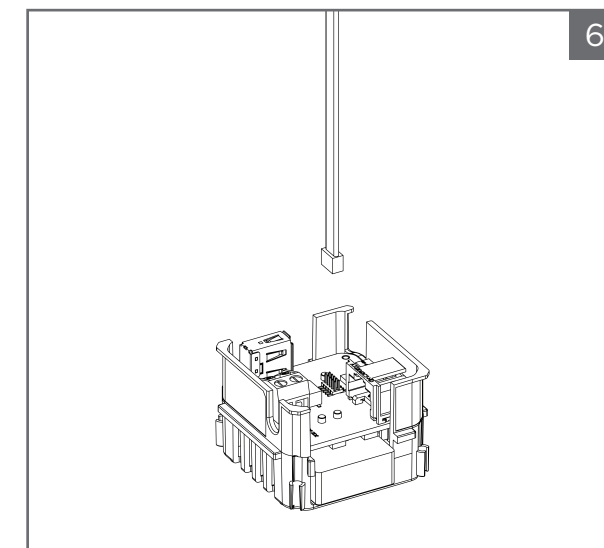
4

With the (a) bezel face down on a flat, non-scratch surface with the iPort logo on the right. Plug in the iPad's lightning to USB cable directly into the iPad. Position the iPad facedown into the (a) bezel with the iPad cable on the right. Wrap the iPad cable around the (a) bezel's metal loop. To lock the iPad in place, use a flat head screwdriver to deploy the two toggles located on the right side of the (a) bezel.



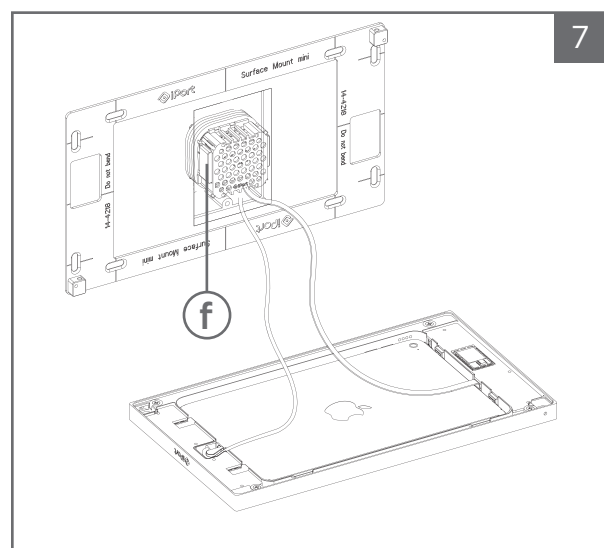
5

Connect the USB connector to the USB port located on the (f) PoE splitter. Tightly wrap the remaining iPad cable around the (f) PoE splitter. Leave enough slack on the iPad cable to place (f) PoE splitter into the electrical box.



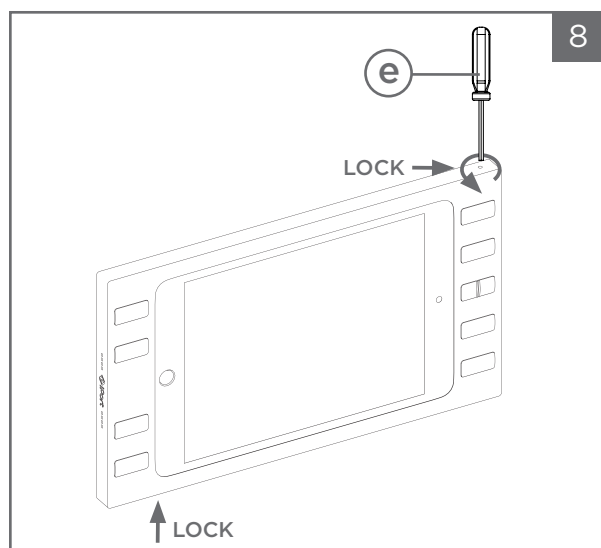
6

Connect the (a) bezel's serial cable to the serial port found on the (f) PoE splitter.



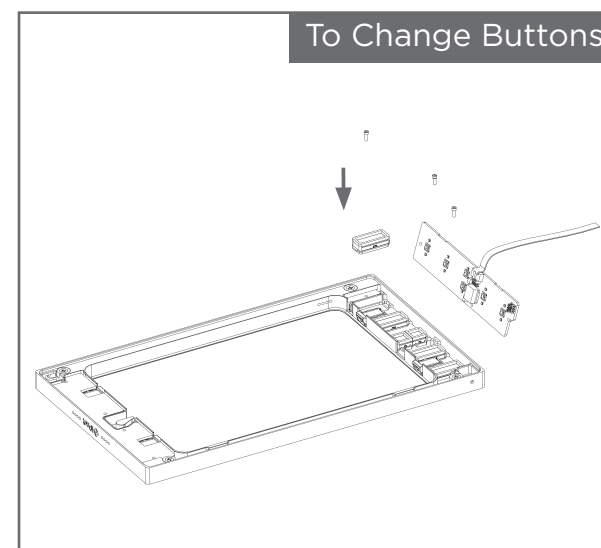
7

Connect the appropriate power source identified in the Power and Wiring Guide (found in (f) PoE splitter box). Place the PoE splitter into the single gang box located in the wall with the iPort logo facing out. NOTE: If you need to remove the (f) PoE splitter from the wall box, you can use needle-nose pliers to grab onto holes provided on the front of the (f) PoE splitter.



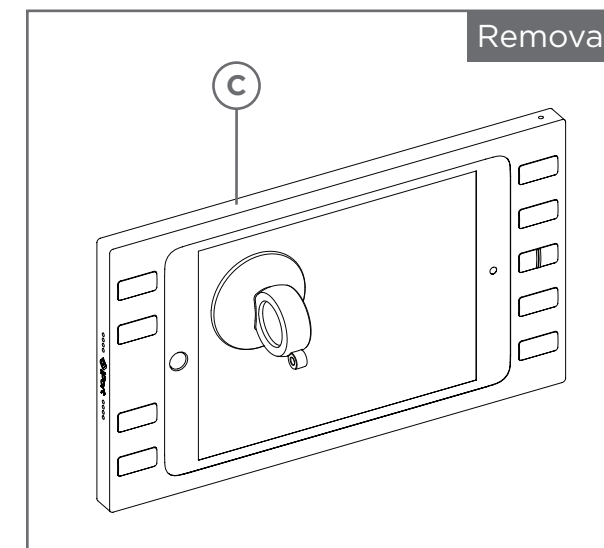
8

The Surface Mount will attach to the (b) mounting bracket with internal magnets. To lock the Surface Mount in place, use the (e) security tool provided to engage the security locks. When the bezel is in landscape orientation, the security holes are located on the top-right and bottom-left of the bezel. Rotate the (e) security tool counter-clockwise to engage the locks, and clockwise to unlock the Surface Mount (a) bezel from the (b) mounting bracket.



To Change Buttons

Place (a) bezel face down on a flat, non-scratch surface. To switch out the default buttons that are included with the Surface Mount, carefully unscrew the small screws found on each side of the circuit board(s) located on the back of the (a) bezel using a precision Phillips screwdriver. Remove the button that is being replaced, and drop in the desired button in the correct orientation. Once the buttons are in place, reattach the circuit boards using the precision Phillips screwdriver and screws.



Removal

The (c) suction cup (provided) is used to remove the iPad and (a) bezel from the (b) mounting bracket. Once the (a) bezel is unlocked from the (b) mounting bracket, depress the (c) suction cup on the corner of the iPad screen and carefully pull the iPad from the wall, while the other hand is supporting the opposite side of the (a) bezel.